

Revisions

1	11 / 20 / 2013

Job Number

Date
8 / 16 / 2013

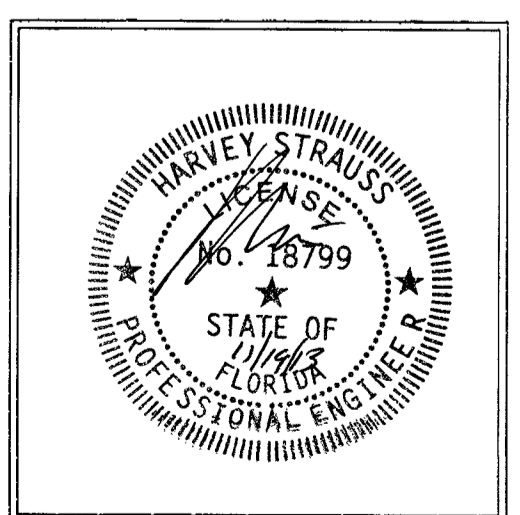
Drawn By
J.C.

Checked By

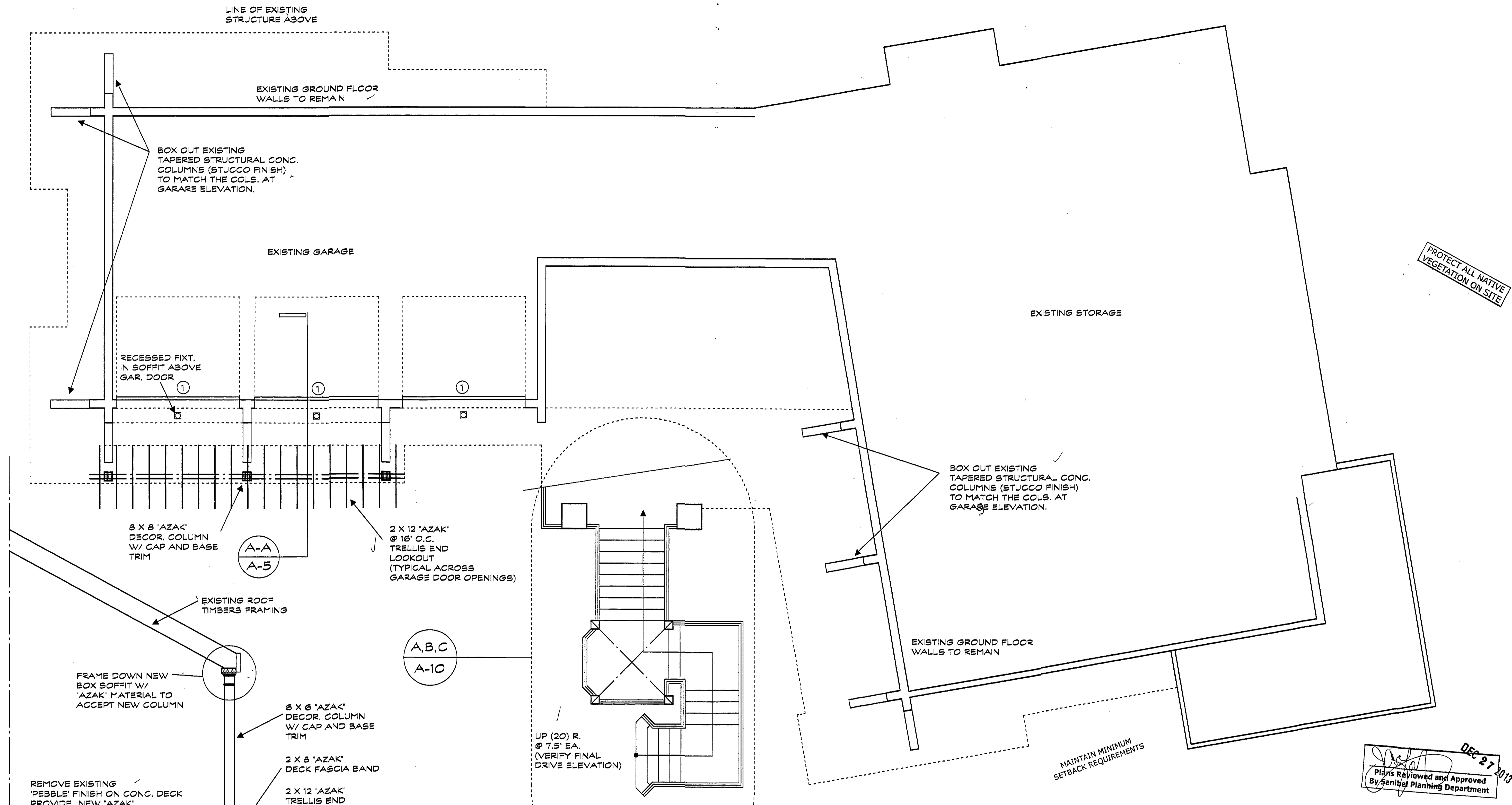
Drawing Scale
AS NOTED

STUDIO
one
DESIGN
2223 MC GREGOR BLVD.
FT. MYERS, FLORIDA
33907
(239) 707-9365

RENOVATION TO:
THE VALERIAN RESIDENCE
5145 JOEWOOD
SANIBEL ISLAND, FLORIDA



SHEET
A - 5

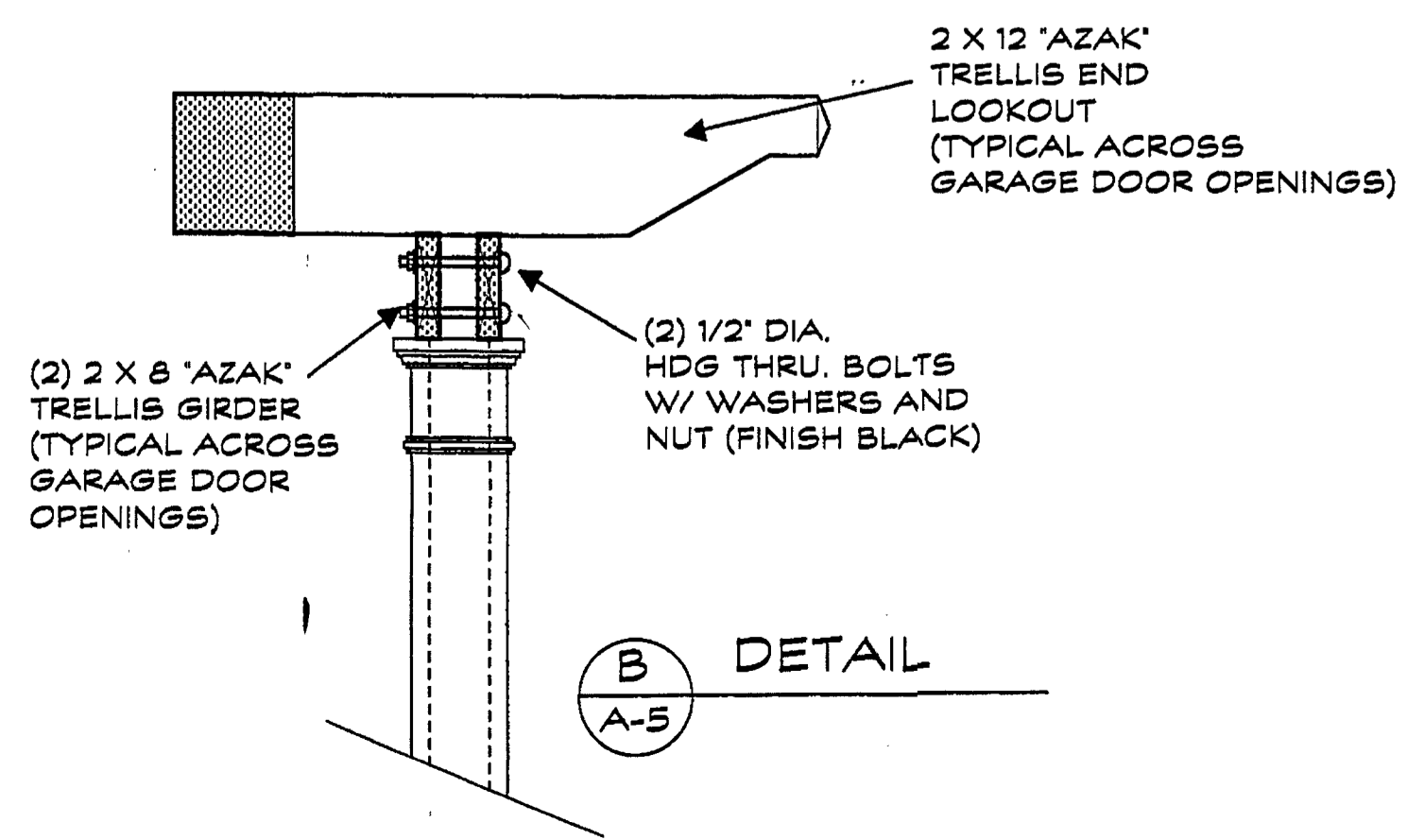


New Ground Floor Plan

SCALE: 1/4" = 1'-0"

A-A Section Detail SCALE: 3/8" = 1'-0"

① - 10' W. X 8' H. 'RATED' GARAGE DOORS IN EXISTING OPENINGS. REPLACE EXISTING HARDWARE AND TRACKS AS REQ'D. WOOD CLAD FLAT PANEL DOORS AS SHOWN.



ALPHA ENGINEERING
CONSULTING CIVIL ENGINEERS
STRUCTURAL ENG. - PLANNING
6315 - G PRESIDENTIAL CT.
FORT MYERS, FLORIDA, 33919
(239) 267-7777 FAX: (239) 267-7782