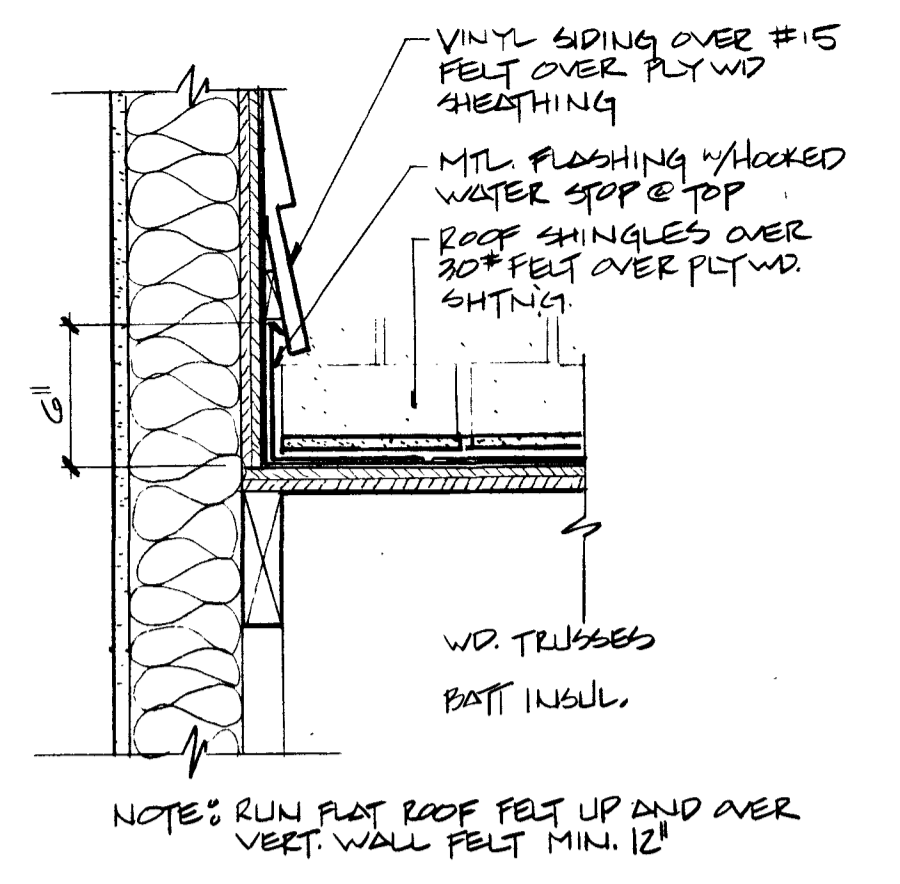
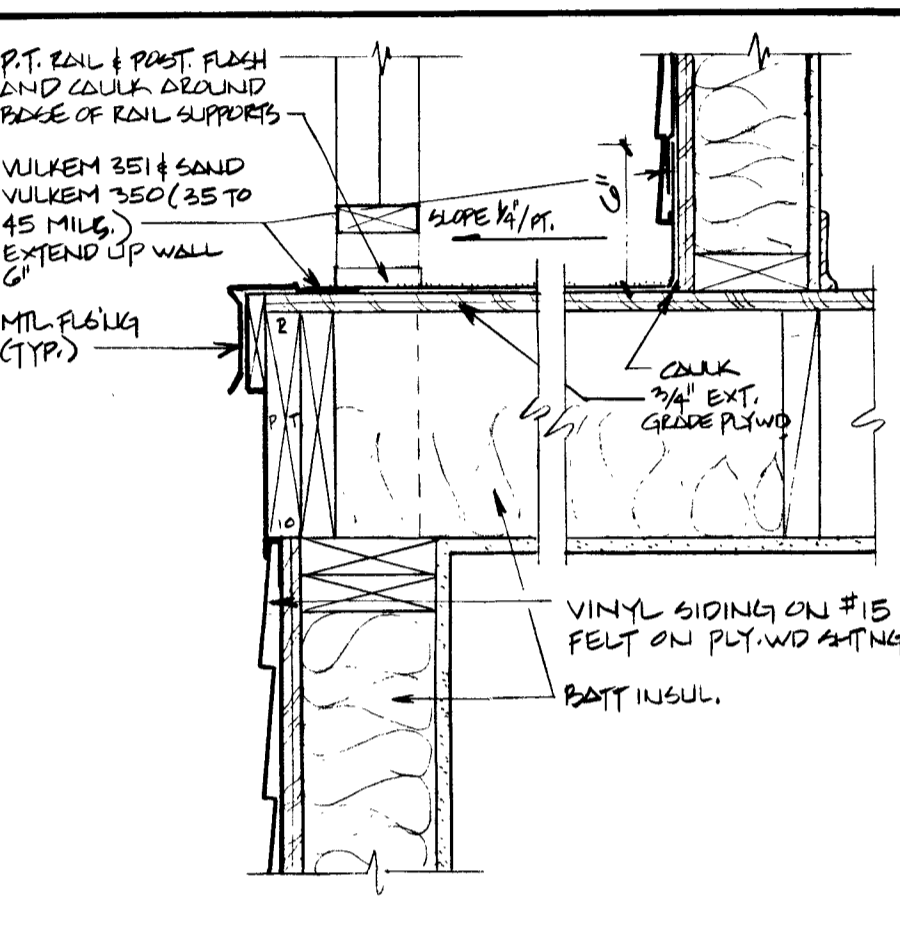


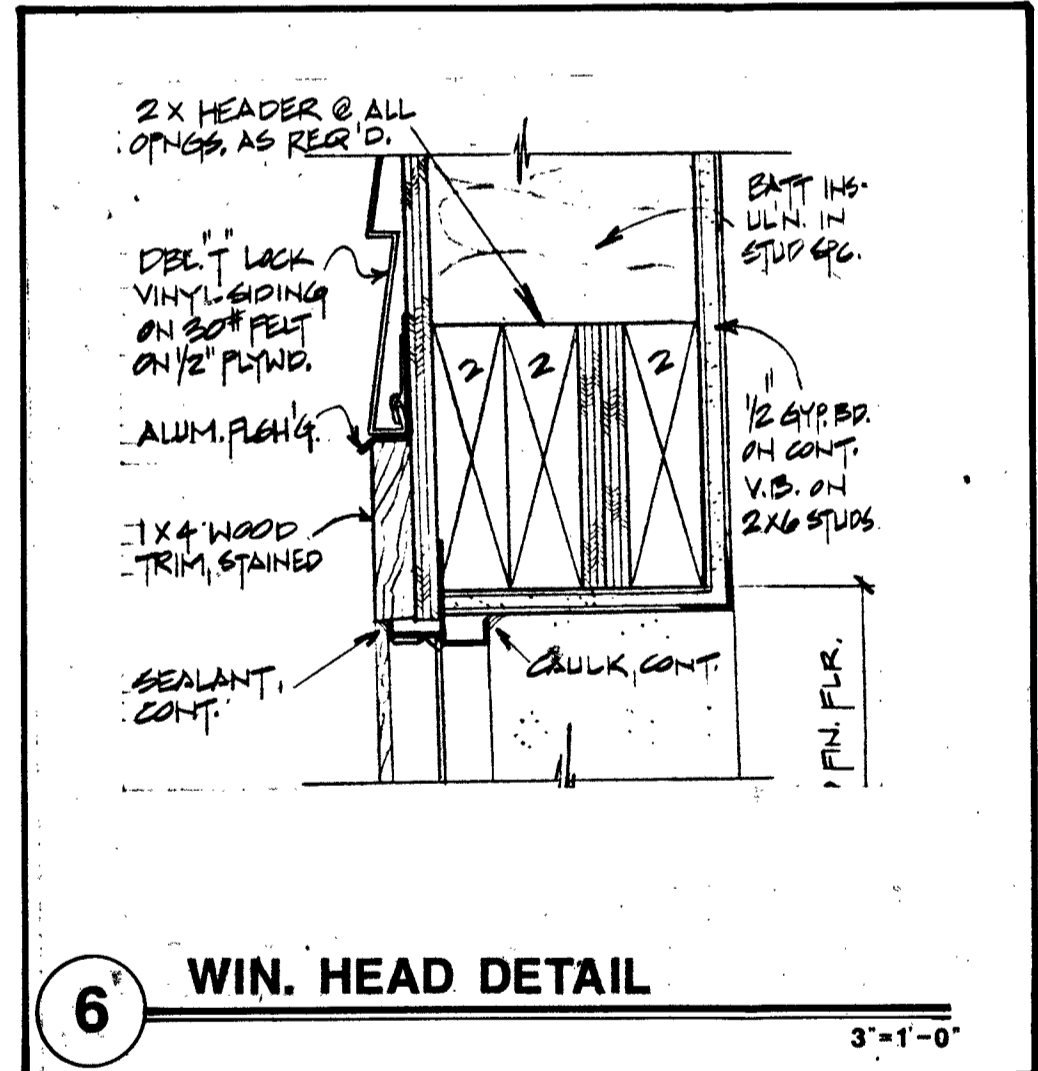
AF 4950A



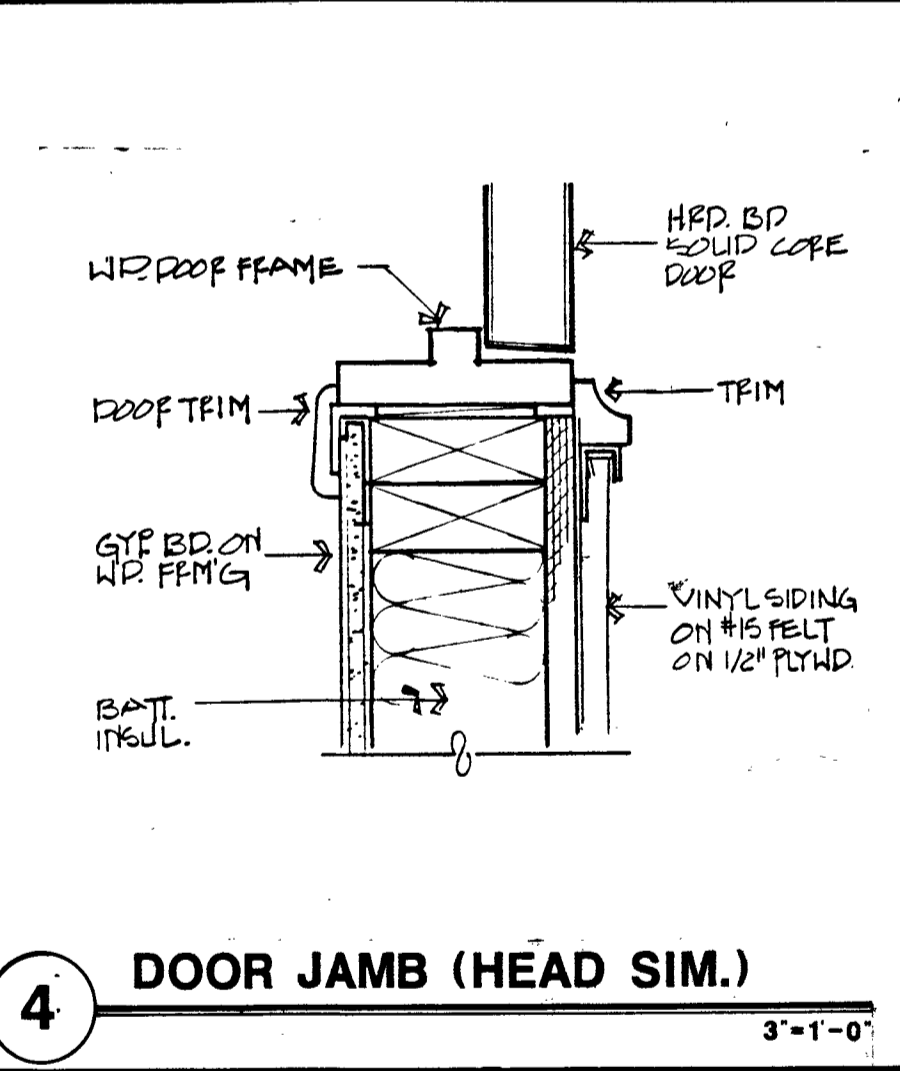
2 DETAIL  
1 1/2" = 1'-0"



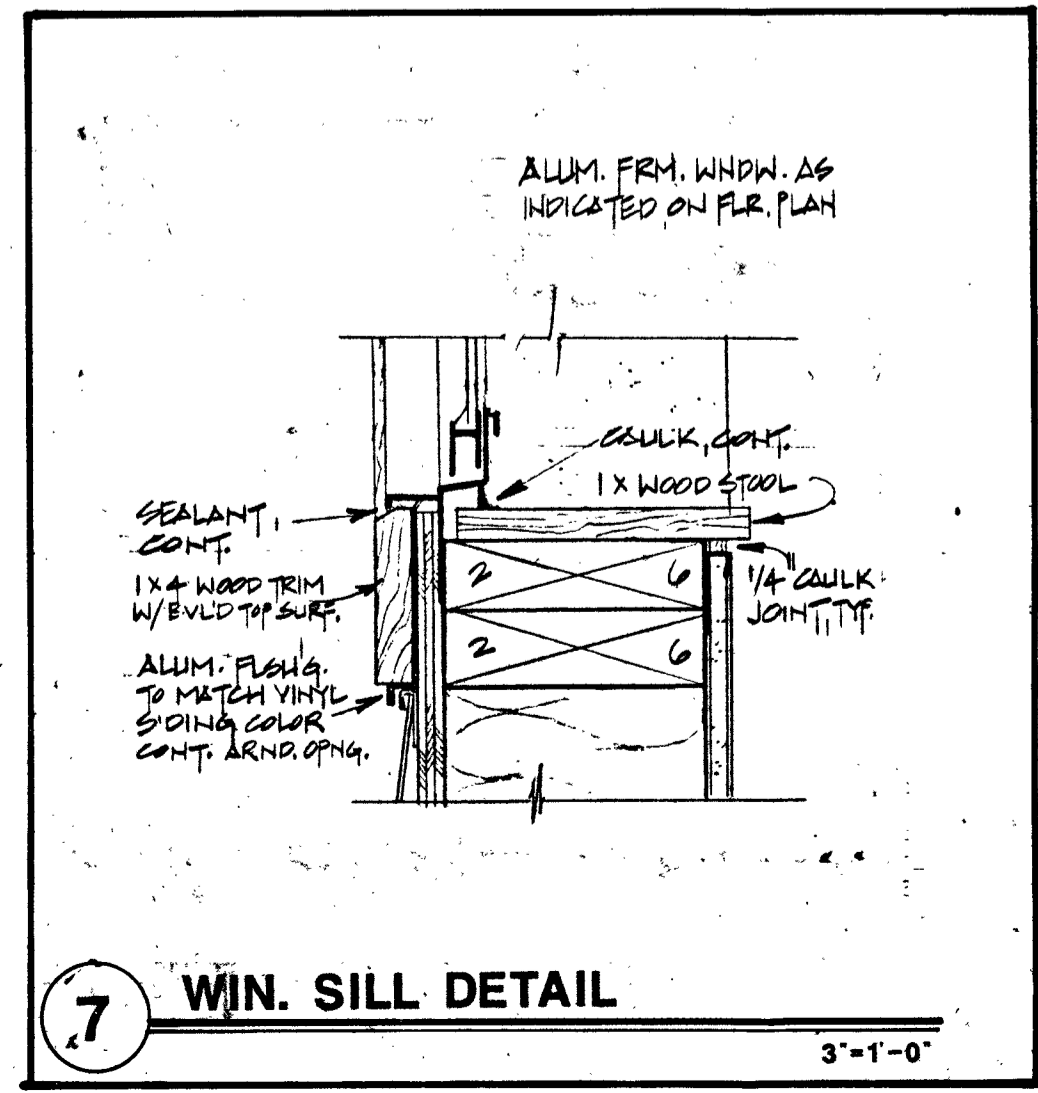
3 SECOND FLOOR DECK DETAIL  
1 1/2" = 1'-0"



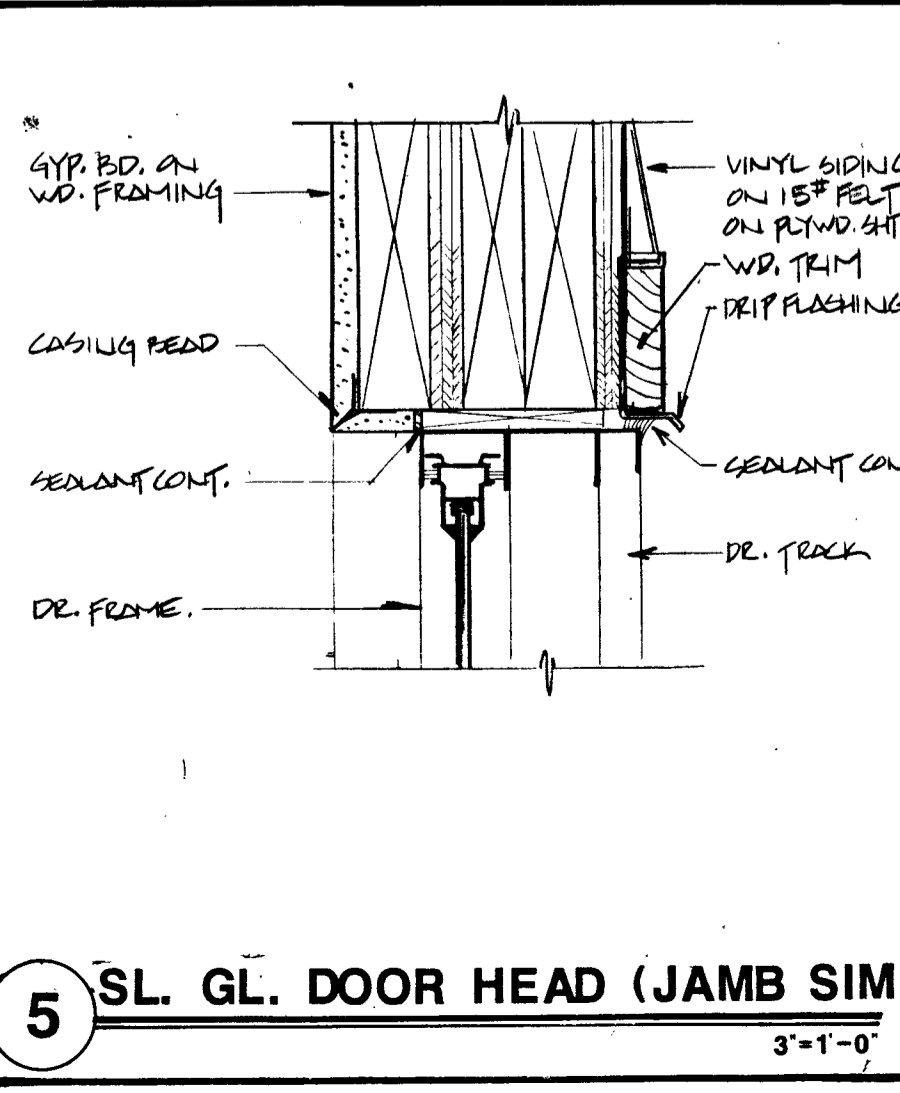
6 WIN. HEAD DETAIL  
3'-1'-0"



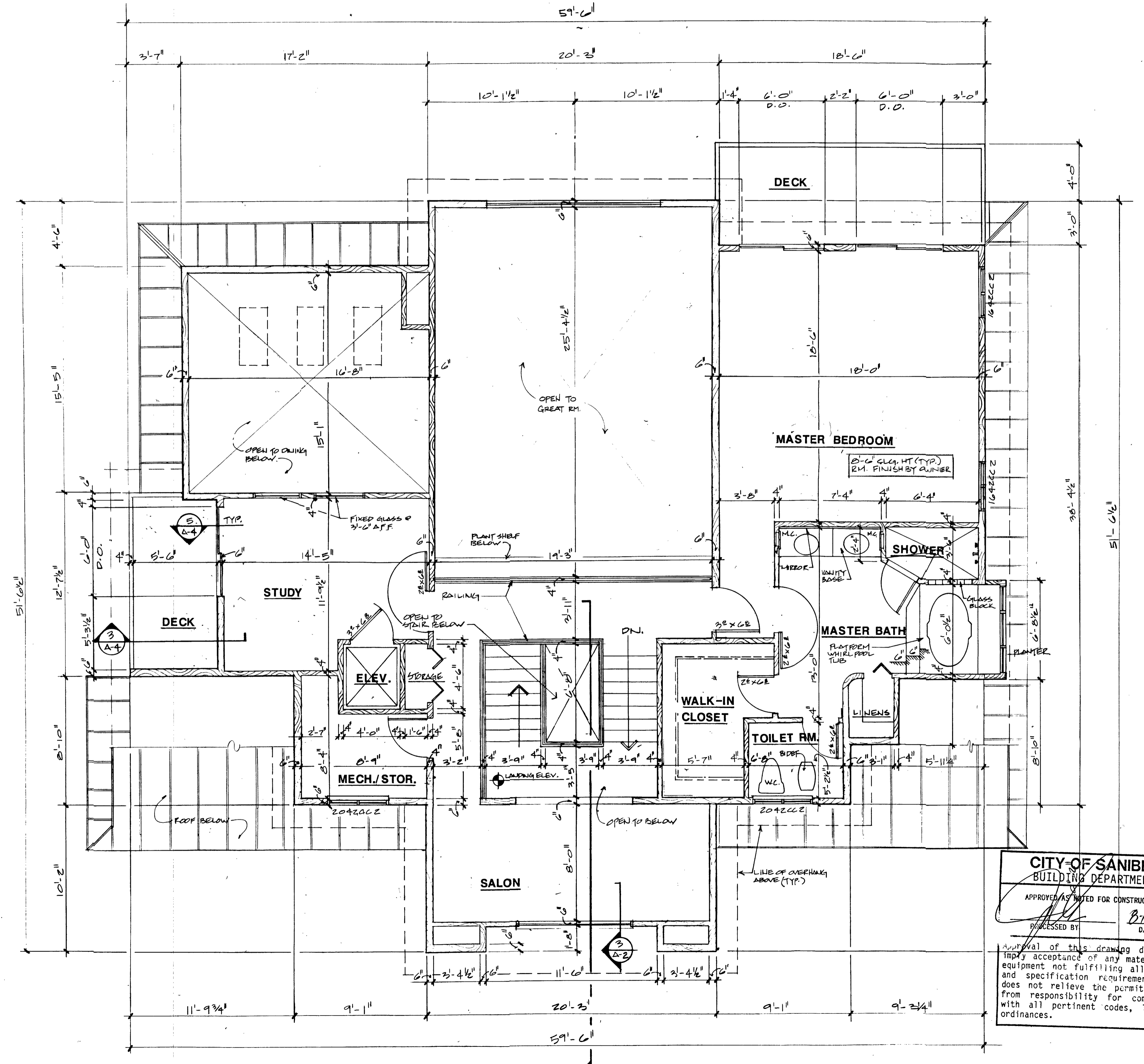
4 DOOR JAMB (HEAD SIM.)  
3'-1'-0"



7 WIN. SILL DETAIL  
3'-1'-0"



5 SL. GL. DOOR HEAD (JAMB SIM.)  
3'-1'-0"



1 SECOND FLOOR PLAN (REVERSED)  
SCALE: 3/4" = 1'-0"

CITY OF SANIBEL  
BUILDING DEPARTMENT  
APPROVED AS NOTED FOR CONSTRUCTION  
8-10-89  
DATE  
PROCESSED BY

Approval of this drawing does not imply acceptance of any material or equipment not fulfilling all design and specification requirements, and does not relieve the permit holder from responsibility for compliance with all pertinent codes, laws or ordinances.

JUL 19 1989